

FOUNDATION FOR INTELLIGENT PHYSICAL AGENTS

FIPA Nomadic Application Support

Document title	FIPA Nomadic Application Support		
Document number	XC00014A	Document source	FIPA Nomadic Application Support
Document status	Experimental	Date of this status	2000/07/27
Supersedes	OC00062, OC00063, OC00065 and OC00066		
Contact	fab@fipa.org		
Change history			
2000/03/07	Initial draft		
2000/07/27	Recombined from OC00062, OC00063, OC00065 and OC00066; Changed envelope syntax to XML. Editorial changes; Approved for Experimental		

© 2000 Foundation for Intelligent Physical Agents - <http://www.fipa.org/>

Geneva, Switzerland

Notice

Use of the technologies described in this specification may infringe patents, copyrights or other intellectual property rights of FIPA Members and non-members. Nothing in this specification should be construed as granting permission to use any of the technologies described. Anyone planning to make use of technology covered by the intellectual property rights of others should first obtain permission from the holder(s) of the rights. FIPA strongly encourages anyone implementing any part of this specification to determine first whether part(s) sought to be implemented are covered by the intellectual property of others, and, if so, to obtain appropriate licenses or other permission from the holder(s) of such intellectual property prior to implementation. This specification is subject to change without notice. Neither FIPA nor any of its Members accept any responsibility whatsoever for damages or liability, direct or consequential, which may result from the use of this specification.

Foreword

The Foundation for Intelligent Physical Agents (FIPA) is an international organization that is dedicated to promoting the industry of intelligent agents by openly developing specifications supporting interoperability among agents and agent-based applications. This occurs through open collaboration among its member organizations, which are companies and universities that are active in the field of agents. FIPA makes the results of its activities available to all interested parties and intends to contribute its results to the appropriate formal standards bodies.

The members of FIPA are individually and collectively committed to open competition in the development of agent-based applications, services and equipment. Membership in FIPA is open to any corporation and individual firm, partnership, governmental body or international organization without restriction. In particular, members are not bound to implement or use specific agent-based standards, recommendations and FIPA specifications by virtue of their participation in FIPA.

The FIPA specifications are developed through direct involvement of the FIPA membership. The status of a specification can be either Preliminary, Experimental, Standard, Deprecated or Obsolete. More detail about the process of specification may be found in the FIPA Procedures for Technical Work. A complete overview of the FIPA specifications and their current status may be found in the FIPA List of Specifications. A list of terms and abbreviations used in the FIPA specifications may be found in the FIPA Glossary.

FIPA is a non-profit association registered in Geneva, Switzerland. As of January 2000, the 56 members of FIPA represented 17 countries worldwide. Further information about FIPA as an organization, membership information, FIPA specifications and upcoming meetings may be found at <http://www.fipa.org/>.

Contents

1	Scope.....	1
2	General Analysis.....	2
2.1	Overview.....	2
2.2	Monitoring and Controlling Quality of Service.....	3
2.3	Negotiation of Message Transport Requirements.....	4
2.3.1	Negotiation About Message Transport Protocols.....	4
2.3.2	Negotiation About Message Representation.....	4
3	Nomadic Application Support Ontology.....	5
3.1	Object Descriptions.....	5
3.1.1	Service Description.....	5
3.1.2	Quality of Service Description.....	6
3.1.3	Rate Value.....	7
3.1.4	Time Value.....	7
3.1.5	Probability Value.....	7
3.1.6	Change Constraint.....	8
3.1.7	Time Constraint.....	8
3.1.8	Communication Channel Description.....	8
3.1.9	Transport Protocol Description.....	9
3.1.10	Transport Protocol Selection.....	9
3.1.11	Message Representation Description.....	9
3.1.12	Message Representation Selection.....	10
3.2	Function Descriptions.....	10
3.2.1	Request Monitoring Information.....	10
3.2.2	Subscribe to Changes.....	11
3.2.3	Open Communication Channel.....	11
3.2.4	Close Communication Channel.....	11
3.2.5	Activate a Message Transport Protocol.....	12
3.2.6	Deactivate a Message Transport Protocol.....	12
3.2.7	Select a Message Transport Protocol.....	12
3.3	Exceptions.....	13
3.3.1	Not Understood Exception Propositions.....	13
3.3.2	Refusal Exception Propositions.....	13
3.3.3	Failure Exception Propositions.....	14
4	Scenarios.....	15
4.1	Registration with a DF.....	15
4.2	Negotiating Message Transport Protocols.....	16
4.3	Negotiating Message Representations.....	22
4.4	Message Exchange Over a WAP Message Transport Protocol.....	23
4.4.1	Message Exchange Activation by an Agent in a Mobile Host.....	23
4.4.2	Message Exchange Termination to an Agent in a Mobile Host.....	26
5	Informative Annex A - Paramedic Scenario.....	29
5.1	Overview.....	29
5.2	Seamless Roaming.....	31
5.2.1	Disconnection and Reconnection of an Message Transport Connection.....	31
5.2.2	Example Negotiation of a Message Transport Protocol.....	36
5.2.3	Example Negotiation of a Message Representation.....	40
6	References.....	44

1 Scope

This document is part of the FIPA specifications and deals with agent middleware to support applications in nomadic environment. The specification gives an overview of the Nomadic Application Support area and contains specifications for:

- Monitor Agent (MA) functionality,
- Control Agent (CA) functionality, and
- ontological descriptions.

2 General Analysis

2.1 Overview

The results of current developments in both wireless data communications and mobile computers are being combined to facilitate a new trend: *nomadic computing*. Compared to today's traditional distributed systems, the nomadic computing environment is very different in many respects. Bandwidth, latency, delay, error rate, quality of display and other non-functional parameters may change dramatically when a nomadic end-user moves from one location to another and thus from one computing environment to another, for example, from a wireline LAN to a UMTS network. The variety of mobile workstations, handheld devices and smart phones, which allow nomadic end-users to access Internet services, is increasing rapidly. The capabilities of mobile devices range from very low performance equipment (such as PDAs) up to high performance laptop PCs. All these devices create new demands for adaptability of Internet services. For example, PDAs cannot display properly high quality images and as nomadic end-users may be charged based on the amount of data transmitted over the GPRS-UMTS network, they may have to pay for bits that are totally useless to them.

Confronted with these circumstances, the nomadic end-user would benefit from having the following functionality provided by the infrastructure: information about expected performance, agent monitoring and controlling the transfer operations, and adaptability.

The ability to automatically adjust to changes in a transparent and integrated fashion is essential for *nomadicity*, nomadic end-users are usually professionals in areas other than computing. Furthermore, today's mobile computer systems are already very complex to use as productivity tools. Thus, nomadic end-users need all the support that a FIPA agent-based distributed system can deliver and adaptability to the changes in the environment of nomadic end-users is an important issue.

FIPA uses the Wireless Application Protocol (WAP) [WAP99] as its wireless Message Transport Protocol (MTP - see [FIPA00076]). The WAP Forum has developed industry-wide specifications for low bandwidth wireless services (such as GSM, GPRS, etc.) and wireless devices (such as mobile telephones and personal digital assistants). The WAP specification address the characteristics of wireless networks by adapting low bandwidth wireless services and low-end mobile devices to the special requirements of information services. The WAP specification defines a set of standard components that can be used in agent message communication, such as standard data formats and standard data communication protocols.

The adaptation of applications to various nomadic computing environments is an important area. There are several tasks that agents need to carry out during application adaptation:

1. Selection of MTP and Message Transport Connection (MTC) to be used for agent communication.
2. Selection of an ACL and content language representation to be used for agent communication.
3. Provision of support for application agents to carry out adaptation of application data, such as still images, video and audio, XML, etc. Today's Internet application data (such as multimedia content) are designed with high performance desktop PCs and high quality displays in mind. Therefore, the application data is frequently unsuitable for nomadic computing using wireless wide-area networks and low performance mobile devices, and hence requires modification.
4. Communication between agents performing adaptation.

The FIPA Nomadic Application Support specifications define agent middleware to:

- Monitor and control an MTP and the underlying MTC, and,
- An ontology for representing the quality of service of the Message Transport Service in the context of nomadic application support.

In addition, this specification gives examples of the use of the above scenarios.

2.2 Monitoring and Controlling Quality of Service

The functions required to carry out monitoring and controlling for quality of service can be split into several specific tasks:

1. Observing the quality of service of MTPs and MTCs,
2. Measuring (if there are no other means to obtain the required information) the quality of service of an MTP and MTC,
3. Collecting information from the observing and measuring sources,
4. Analysing the information, and,
5. Controlling an MTC and selecting an MTP.

Based on this division, the agent middleware consists of the following logical agents (see *Figure 1*):

- A **Monitor Agent** (MA) which carries out tasks 1 through 4, and,
- A **Control Agent** (CA) which carries out task 5.

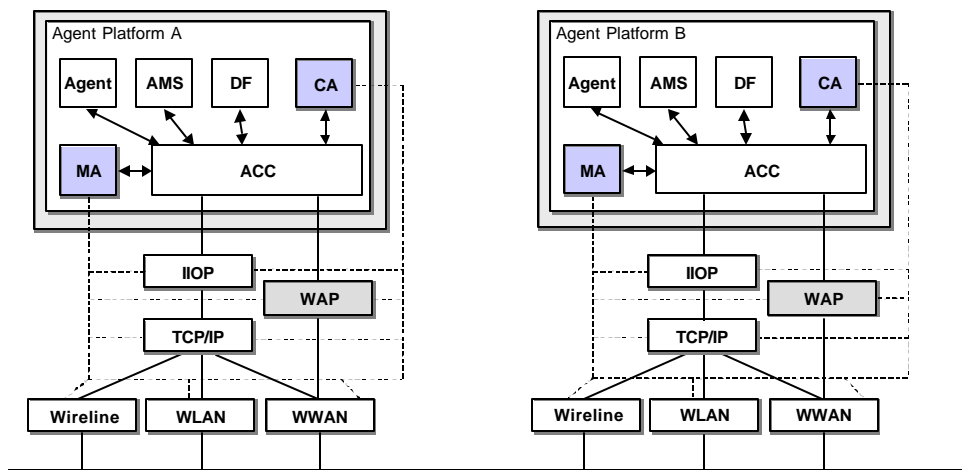


Figure 1: Reference Model of Agent based Adaptation

The most appropriate configuration of MAs and CAs is that there is at least one pair in each AP involving adaptation. The MA may measure the actual quality of service of an MTC, if the network running an MTC does not provide users with required performance data¹.

An MA may:

- Consist of network-service-specific components that collect raw performance data at fixed intervals,
- Provide a repository for the measurement data collected,
- Perform first level analysis of the collected data, and,
- Send the results of the analysis to CA, if requested to do so.

A CA may:

¹ The way this actual measurement is performed is not a subject of standardisation within FIPA.

- Manage (establish, close, suspend, activate, etc.) an MTC².

In some cases there is a need for MAs and CAs in heterogeneous APs to communicate with each other; therefore, interaction protocols and ontologies to achieve this are specified in this document.

2.3 Negotiation of Message Transport Requirements

There are several mechanisms that can determine the MTP, message representation and content language to use between communicating entities:

- Communicating entities know a peer entity's preferences beforehand and use them.
- The activating entity tries to use a method and if the peer entity is not capable of using the suggested method, then the activating entity may try another one (and so on).
- The communicating entities negotiate about a method to be used.

2.3.1 Negotiation About Message Transport Protocols

Previous FIPA specifications have implicitly assumed that the MTC is operational all the time (meaning that the MTC has been established before the agent message exchange and that it is reliable). However, this is not always the case within a nomadic environment.

A CA can activate the selection of an MTP or an agent can propose an MTP to a CA and it is the responsibility of the CA to either accept or reject the proposal based on whether it is possible to use the proposed MTP. CAs negotiate with peer CAs to use proposed MTPs which is illustrated in *Figure 2*.

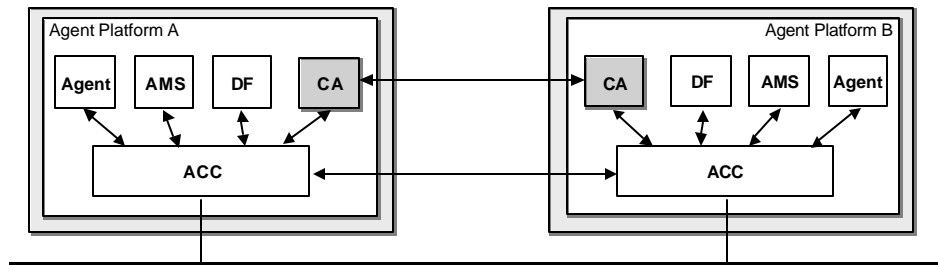


Figure 2: Control Agents Negotiating About a Message Transport Protocol

CAs use the `FIPA-Propose` interaction protocol [FIPA00036] and the `use` action to negotiate about an MTP. An example negotiation is given in section 4.2, *Negotiating Message Transport Protocols*.

2.3.2 Negotiation About Message Representation

In the environment of nomadic applications, it may be necessary to switch from one ACL representation to another; for example, when a mobile host roams from a wireline network to a wireless network. Application agents may use the `FIPA-Propose` interaction protocol and the `use` action to negotiate about the representation of ACL. Examples of this negotiation are given in section 4.3, *Negotiating Message Representation*.

² The way that management actions are executed is not a subject of standardisation within FIPA.

3 Nomadic Application Support Ontology

3.1 Object Descriptions

This section describes a set of frames, that represent the classes of objects in the domain of discourse within the framework of the `FIPA-Nomadic-Application` and `FIPA-MTS-QoS` ontologies.

The following terms are used to describe the objects of the domain:

- **Frame.** This is the mandatory name of this entity, that must be used to represent each instance of this class.
- **Ontology.** This is the name of the ontology, whose domain of discourse includes the parameters described in the table.
- **Parameter.** This is the mandatory name of a parameter of this frame.
- **Description.** This is a natural language description of the semantics of each parameter.
- **Presence.** This indicates whether each parameter is mandatory or optional.
- **Type.** This is the type of the values of the parameter: Integer, Word, String, URL, Term, Set or Sequence.
- **Reserved Values.** This is a list of FIPA-defined constants that can assume values for this parameter.

3.1.1 Service Description

This type of object represents the description of each service registered with the DF.

Frame	service-description			
Ontology	FIPA-Nomadic-Application			
Parameter	Description	Presence	Type	Reserved Values
name	The name of the service.	Mandatory	String	fipa-mts-control fipa-mts-monitor
type	The type of the service.	Mandatory	String	fipa-ca fipa-ma
ontology	A list of ontologies supported by the service.	Optional	Set of String	FIPA-Nomadic-Application
protocol	A list of interaction protocols supported by the service.	Optional	Set of String	
properties	A list of properties that discriminate the service.	Optional	Set of property	

3.1.2 Quality of Service Description

This type of object represents the quality of service of the transport protocol or communication channel.

Parameter	Description	Presence ³	Type	Reserved Values
line-rate	The bandwidth in one direction over the link.	Optional	rate-value	
throughput	The number of user data bits successfully transferred in one direction across the link ⁴ . Successful transfer means that no user data bits are lost, added or inverted in transfer.	Optional	rate-value	
throughput-std-dev	The current standard deviation of the throughput within a time unit.	Optional	rate-value	
rtt	The round trip time which is the time required for a data segment to be transmitted to a peer entity and a corresponding acknowledgement sent back to the originating entity.	Optional	time-value	
rtt-std-dev	The standard deviation of the round-trip time within a time unit.	Optional	time-value	
delay	The (nominal) time required for a data segment to be transmitted to a peer entity.	Optional	time-value	
delay-std-dev	The standard deviation of the delay time within a time unit.	Optional	time-value	
mean-up-time	The expected uptime of an established link.	Optional	time-value	
omission-rate	The probability that a data segment is not transmitted correctly over a link.	Optional	probability-value	
ber	The ratio of the number of bit errors to the total number of bits transmitted in a given time interval ⁵ .	Optional	probability-value	
frame-error-rate	The probability that a data segment is not transmitted correctly over a link.	Optional	probability-value	
conn-setup-delay	The (sampled) delay to establish a connection between communicating entities.	Optional	time-value	
conn-setup-failure-prob	The ratio of total call attempts that result in call setup failure to the total call attempts in a population of interest.	Optional	probability-value	
status	The connectivity status of the	Optional	Word	Connected

³ While all of the parameters for this object are optional, a valid qos object will contain at least one parameter.

⁴ See [ITUX135].

⁵ See [ITUE800].

	link.			Disconnected Connecting
--	-------	--	--	----------------------------

3.1.3 Rate Value

This type of object represents a data transfer value.

Frame Ontologies	rate-value FIPA-Nomadic-Application FIPA-MTS-QoS			
Parameter	Description	Presence	Type	Reserved Values
direction	The direction in which this value is measured.	Mandatory	Word	Inbound Outbound
unit	The unit in which the value is represented.	Mandatory	Word	Gbits/s Mbits/s Kbits/s Bits/s
value	The rate value.	Mandatory	Number	

3.1.4 Time Value

This type of object represents a time value.

Frame Ontologies	time-value FIPA-Nomadic-Application FIPA-MTS-QoS			
Parameter	Description	Presence	Type	Reserved Values
direction	The direction in which this value is measured.	Optional ⁶	Word	Inbound Outbound
unit	The unit in which the value is represented.	Mandatory	Word	h m s ms
value	The time value.	Mandatory	Number	

3.1.5 Probability Value

This type of object represents a probability value.

Frame Ontologies	probability-value FIPA-Nomadic-Application FIPA-MTS-QoS			
Parameter	Description	Presence	Type	Reserved Values
direction	The direction in which this value is measured.	Optional	Word	Inbound Outbound
value	The probability value which obeys the following axiom: $0 = \text{value} = 1$	Mandatory	Number	

⁶ This parameter is mandatory for those QoS values that have a different value depending upon the direction.

3.1.6 Change Constraint

This type of object represents constraints that limit quality of service notifications (see section 3.2.2, *Subscribe to Changes*).

Frame Ontologies	change-constraint FIPA-Nomadic-Application FIPA-MTS-QoS			
Parameter	Description	Presence	Type	Reserved Values
value	The description of the constraints.	Mandatory	Expression	

3.1.7 Time Constraint

This type of object represents constraints that limit quality of service notifications.

Frame Ontologies	time-constraint FIPA-Nomadic-Application FIPA-MTS-QoS			
Parameter	Description	Presence	Type	Reserved Values
type	The type of the constraint. If the type Every is used, then the expression becomes true after value and thereafter at intervals of value. If the type After is used, then the expression becomes true only after value.	Mandatory	Word	Every After
value	The time value.	Mandatory	time-value	

3.1.8 Communication Channel Description

This type of object represents a communication channel.

Frame Ontologies	comm-channel FIPA-Nomadic-Application FIPA-Communication-Management			
Parameter	Description	Presence ⁷	Type	Reserved Values
name	The logical name of the communication channel.	Optional	Word	
target-addr	The target transport address of the communication channel. This may also be the address of a gateway ACC.	Optional	URL	
options	A list of optional parameters for the communication channel.	Optional	Set of property (see [FIPA00023])	

⁷ Either the :name parameter or the :target-addr parameter must be present in this object.

3.1.9 Transport Protocol Description

This type of object represents a transport protocol.

Frame Ontologies	transport-protocol FIPA-Nomadic-Application FIPA-Communication-Management			
Parameter	Description	Presence	Type	Reserved Values
name	The logical name of the transport protocol.	Mandatory	Word	
gw-addr	The transport address of the gateway ACC.	Optional	URL	
dest-addr	The transport address of the ultimate destination. If this address is present, but gw-addr is not, then the Control Agent may select the most appropriate gateway transport address to use.	Optional	URL	
options	A list of optional parameters for the transport protocol.	Optional	Set of property	

3.1.10 Transport Protocol Selection

This type of object represents a selection of transport protocol.

Frame Ontologies	transports FIPA-Nomadic-Application FIPA-Communication-Management			
Parameter	Description	Presence	Type	Reserved Values
send	A list of transport protocols supported for sending messages.	Mandatory	Sequence of transport-protocol	
recv	A list of transport protocols supported for receiving messages.	Mandatory	Sequence of transport-protocol	

3.1.11 Message Representation Description

This type of object represents an ACL message representation.

Frame Ontologies	msg-representation FIPA-Nomadic-Application FIPA-Message-Representation			
Parameter	Description	Presence	Type	Reserved Values
name	The name of the message representation.	Mandatory	Word	See [FIPA00068]
options	A list of parameters for the message representation.	Optional	Set of property	

3.1.12 Message Representation Selection

This type of object represents a selection of message representations.

Frame Ontologies	msg-rep-selection FIPA-Nomadic-Application FIPA-Message-Representation			
Parameter	Description	Presence	Type	Reserved Values
send	A list of message representations supported for sending messages.	Mandatory	Sequence of msg-representation	
recv	A list of message representations supported for receiving messages.	Mandatory	Sequence of msg-representation	

3.2 Function Descriptions

The following tables define usage and semantics of the functions that are part of the `FIPA-Nomadic-Application` ontology.

The following terms are used to describe the functions of the `FIPA-Nomadic-Application` domain:

- **Function.** This is the symbol that identifies the function in the ontology.
- **Ontology.** This is the name of the ontology, whose domain of discourse includes the function described in the table.
- **Supported by.** This is the type of agent that supports this function.
- **Description.** This is a natural language description of the semantics of the function.
- **Domain.** This indicates the domain over which the function is defined. The arguments passed to the function must belong to the set identified by the domain.
- **Range.** This indicates the range to which the function maps the symbols of the domain. The result of the function is a symbol belonging to the set identified by the range.
- **Arity.** This indicates the number of arguments that a function takes. If a function can take an arbitrary number of arguments, then its arity is undefined.

3.2.1 Request Monitoring Information

Function	qos-information
Ontology	FIPA-Nomadic-Application
Supported by	MA
Description	An agent asks for quality of service information from an MA using the <code>FIPA-Query</code> interaction protocol (see [FIPA00027]). The agent may specify either a communication channel or transport protocol to request quality of service information from.
Domain	comm-channel / transport-protocol, qos
Range	qos
Arity	2

3.2.2 Subscribe to Changes

Function	qos-notification
Ontology	FIPA-Nomadic-Application
Supported by	MA
Description	An agent subscribes to notifications about changes to the quality of service from an MA using the FIPA-Subscribe interaction protocol (see [FIPA00035]).
Domain	comm-channel, qos, change-constraints / time-constraints
Range	qos
Arity	3

3.2.3 Open Communication Channel

Function	open-comm-channel
Ontology	FIPA-Nomadic-Application
Supported by	CA
Description	An agent can request that a CA open a communication channel. The communication channel description should contain enough information for a CA to be able to choose the right communication channel, that is, either the :name parameter or the :target-addr parameter must be present. The agent may also supply additional communication channel information by using the :options parameter.
Domain	comm-channel
Range	The execution of this function results in a change of the state, but it has no explicit result. Therefore there is no range set.
Arity	1

3.2.4 Close Communication Channel

Function	close-comm-channel
Ontology	FIPA-Nomadic-Application
Supported by	CA
Description	An agent can request that a CA close a communication channel. The communication channel description should contain enough information for a CA to be able to choose the right communication channel, that is, either the :name parameter or the :target-addr parameter must be present.
Domain	comm-channel
Range	The execution of this function results in a change of the state, but it has no explicit result. Therefore there is no range set.
Arity	1

3.2.5 Activate a Message Transport Protocol

Function	activate
Ontology	FIPA-Nomadic-Application
Supported by	CA
Description	An agent can request that a CA activate a Message Transport Protocol (MTP). The transport protocol description should contain enough information to allow the CA to identify the correct transport protocol. Additionally, the agent may supply address information to where the transport protocol connection should be opened. It is possible to give the address of the gateway and/or the address of the destination AP.
Domain	Sequence of transport-protocol
Range	The execution of this function results in a change of the state, but it has no explicit result. Therefore there is no range set.
Arity	1

3.2.6 Deactivate a Message Transport Protocol

Function	deactivate
Ontology	FIPA-Nomadic-Application
Supported by	CA
Description	An agent can request that a CA deactivate an MTP.
Domain	transport-protocol
Range	The execution of this function results in a change of the state, but it has no explicit result. Therefore there is no range set.
Arity	1

3.2.7 Select a Message Transport Protocol

Function	use
Ontology	FIPA-Nomadic-Application
Supported by	CA
Description	An CA can request another CA to select an MTP for use between Agent Communication Channels (ACCs) using the FIPA-Propose interaction protocol (see [FIPA00036]). The requesting CA shall provide enough information to establish a working MTP connection. The direction of communication (either send, receive or both) and the list of MTPs must be present. The list of MTPs is an ordered list where the highest priority is the first item and the lowest priority is the last item in the list. The receiving CA shall select at most one MTP for the proposed direction of communication (either send, receive or both)
Domain	transports
Range	transports
Arity	1

3.3 Exceptions

The exceptions for the FIPA-Nomadic-Application ontology follow the same form and rules as specified in [FIPA00023].

3.3.1 Not Understood Exception Propositions

Communicative Act Ontology	not-understood FIPA-Nomadic-Application	
Predicate Symbol	Arguments	Description
unsupported-act	String	The receiving agent does not support the specific communicative act; the string identifies the unsupported communicative act.
unexpected-act	String	The receiving agent supports the specified communicative act, but it is out of context; the string identifies the unexpected communicative act.
unsupported-value	String	The receiving agent does not support the value of a message parameter; the string identifies the message parameter name.
unrecognised-value	String	The receiving agent cannot recognise the value of a message parameter; the string identifies the message parameter name.

3.3.2 Refusal Exception Propositions

Communicative Act Ontology	refuse FIPA-Nomadic-Application	
Predicate symbol	Arguments	Description
unauthorised		The sending agent is not authorised to perform the function.
unsupported-function	String	The receiving agent does not support the function; the string identifies the unsupported function name.
missing-argument	String	A mandatory function argument is missing; the string identifies the missing function argument name.
unexpected-argument	String	A mandatory function argument is present which is not required; the string identifies the unrequired function argument.
unexpected-argument-count		The number of function arguments is incorrect.
missing-parameter	String String	A mandatory parameter is missing; the first string represents the object name and the second string identifies the missing parameter name.
unexpected-parameter	String String	The receiving agent does not support the parameter; the first string represents the function name and the second string identifies the unsupported parameter name.
unrecognised-parameter-value	String String	The receiving agent cannot recognise the value of a parameter; the first string represents the object name and the second string identifies the parameter name of the unrecognised parameter value.

already-open	String	The specified communication channel is already open; the string identifies the communication channel.
not-open	String	The specified communication channel is not open; the string identifies the communication channel.
already-activated	String	The specified transport protocol is already activated; the string identifies the transport protocol.
not-active	String	The specified transport protocol is not active; the string identifies the transport protocol.
unrecognised-comm-channel	String	The specified communication channel is not recognised; the string identifies the communication channel.
unsupported-protocol	String	The specified transport protocol is not supported; the string identifies the transport protocol.

3.3.3 Failure Exception Propositions

Communicative Act Ontology	failure FIPA-Agent-Management	
Predicate symbol	Arguments	Description
internal-error	String	An internal error occurred; the string identifies the internal error.
open-failed	String	The opening of a communication channel failed; the string identifies the failure reason.
transient-failed	String	The opening/closing of a communication channel or the activation/deactivation of a transport protocol failed; the string identifies the failure reason.
close-failed	String	The closing of a communication channel failed; the string identifies the failure reason.
activation-failed	String	The activation of a transport protocol failed; the string identifies the failure reason.
deactivation-failed	String	The deactivation of a transport protocol failed; the string identifies the failure reason.

4 Scenarios

4.1 Registration with a DF

1. A CA registers with a DF (see [FIPA00023]):

```
(request
  :sender
    (agent-identifier
      :name ca@foo.com
      :addresses (sequence http://foo.com/acc))
  :receiver (set
    (agent-identifier
      :name df@foo.com
      :addresses (sequence http://foo.com/acc)))
  :language FIPA-SL0
  :protocol FIPA-Request
  :ontology FIPA-Agent-Management
  :content
    (action
      (agent-identifier
        :name df@foo.com
        :addresses (sequence http://foo.com/acc))
      (register
        (df-agent-description
          :name
            (agent-identifier
              :name ca@foo.com
              :addresses (sequence http://foo.com/acc))
          :services (set
            (service-description
              :name fipa-mts-control
              :type fipa-ca
              :ontology (set FIPA-Nomadic-Application))))))))))
```

2. A MA registers with a DF:

```
(request
  :sender
    (agent-identifier
      :name ma@foo.com
      :addresses (sequence http://foo.com/acc))
  :receiver (set
    (agent-identifier
      :name df@foo.com
      :addresses (sequence http://foo.com/acc)))
  :language FIPA-SL0
  :protocol FIPA-Request
  :ontology FIPA-Agent-Management
  :content
    (action
      (agent-identifier
        :name df@foo.com
        :addresses (sequence http://foo.com/acc))
      (register
        (df-agent-description
```

```

:name
  (agent-identifier
   :name ma@foo.com
   :addresses (sequence http://foo.com/acc))
:services (set
  (service-description
   :name fipa-mts-monitor
   :type fipa-ma
   :ontology (set FIPA-Nomadic-Application))))))
  
```

4.2 Negotiating Message Transport Protocols

This example shows a scenario, where an application agent requests the use of either the WAP MTP [FIPA00076] or a proprietary MTP (for example, x.uh.mdcp). The message flow of a successful negotiation is illustrated in Figure 3.

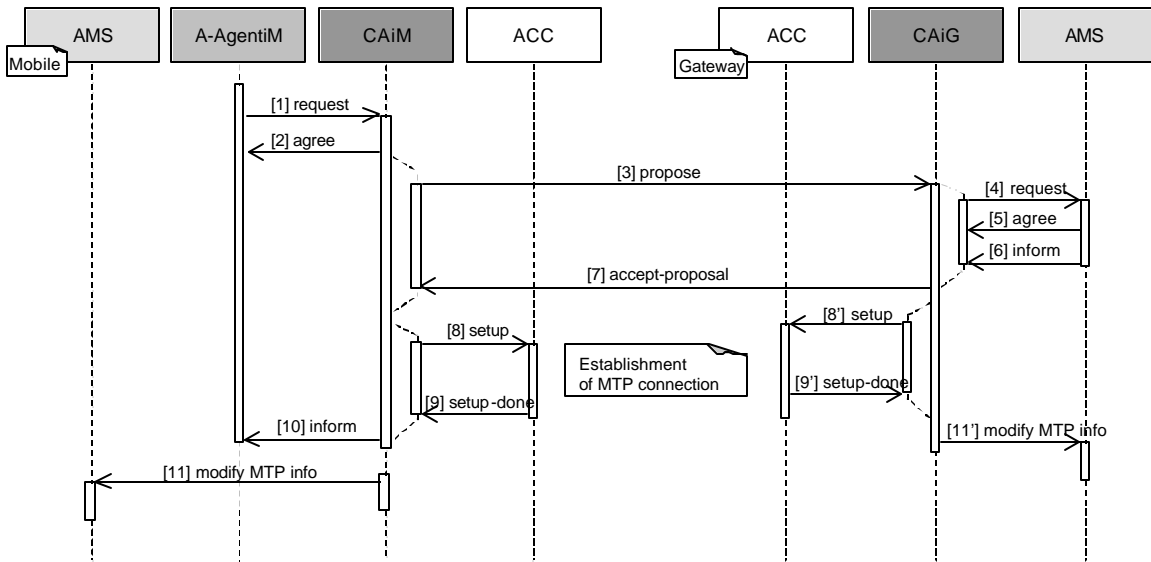


Figure 3: Flow of Message Transport Protocol Negotiation

1. Message 1 request: An application agent issues a request to the CA to activate either the fipa.mts.mtp.wap.std or x.uh.mdcp MTPs.

```

(request
 :sender
  (agent-identifier
   :name A-AgentiM@mobile.com8)
 :receiver (set
  (agent-identifier
   :name CaiM@mobile.com))
 :ontology FIPA-Nomadic-Application
 :language FIPA-SL0
 :protocol FIPA-Request
 :content
  (action
   (agent-identifier
    :name CAiM@mobile.com)
   (activate (sequence
  
```

⁸ In all of the examples in this specification, the suffix of iM in an agent's name represents a mobile host, that is, an agent that is located on a mobile AP. Similarly, the suffix iG represents a gateway host and the suffix iF represents a fixed network host.

```
(transport-protocol
 :name x.uh.mdcp)
(transport-protocol
 :name fipa.mts.mtp.wap.std
 :dest-addr wap://gateway.com:1234/acc))))))
```

2. Message 2 `agree`: The CA agrees to activate an MTP. The decision to agree or disagree to activate an MTP might be based on the internal state of the CA (that is, the CA knows whether a requested MTP can be activated or not) or the CA might ask for an AP description from an AMS.

```
(agree
  :sender
    (agent-identifier
      :name CAiM@mobile.com)
  :receiver (set
    (agent-identifier
      :name A-AgentiM@mobile.com))
  :ontology FIPA-Nomadic-Application
  :language FIPA-SL0
  :protocol FIPA-Request
  :content
    ((action
      (agent-identifier
        :name CAiM@mobile.com))
      (activate (sequence
        (transport-protocol
          :name x.uh.mdcp)
        (transport-protocol
          :name fipa.mts.mtp.wap.std
          :dest-addr wap://gateway.com:1234/acc))))
      true))
```

3. Message 3 `propose`: The CA in the mobile host proposes to its peer CA in the gateway host that either the `fipa.mts.mtp.wap.std` or `x.uh.mdcp` MTPs should be used in communication between the APs.

```
<?xml version="1.0"?>9

<!DOCTYPE envelope>

<envelope>
  <envelope-to index="1">
    <agent-identifier>
      <name value="CAiG@gateway.com" />
    </agent-identifier>
  </envelope-to>
  <envelope-from index="1">
    <agent-identifier>
      <name value="CAiM@mobile.com" />
    </agent-identifier>
  </envelope-from>

  <acl-representation index="1">fipa.acl.rep.string.std</acl-representation>

  <date index="1">20000606T100900000</date>
</envelope>

(propose
  :sender
    (agent-identifier
```

⁹ In most of the examples, the `envelope` part has been omitted for clarity.

```

      :name CAiM@mobile.com)
:receiver (set
  (agent-identifier
    :name CAiG@gateway.com))
:ontology FIPA-Nomadic-Application
:language FIPA-SL0
:protocol FIPA-Propose
:content
  ((action
    (agent-identifier
      :name CAiM@mobile.com)
    (use
      (transports
        :send (sequence
          (transport-protocol
            :name x.uh.mdcp)
          (transport-protocol
            :name fipa.mts.mtp.wap.std))
        :recv (sequence
          (transport-protocol
            :name x.uh.mdcp)
          (transport-protocol
            :name fipa.mts.mtp.wap.std))))))
  true))

```

4. Message 4 request, message 5 agree and message 6 inform: The CA in the gateway host requests the AP description from the local AMS (see [FIPA00023]) to determine whether the `x.uh.mdcp` or `fipa.mts.mtp.wap.std` MTPs are supported. The AMS informs the CA that both MTPs are supported and the CA decides to use `fipa.mts.mtp.wap.std` MTP based on the current quality of service requirements of the MTC.

```

(request
  :sender
    (agent-identifier
      :name CAiG@gateway.com)
  :receiver (set
    (agent-identifier
      :name ams@gateway.com))
  :ontology FIPA-Agent-Management
  :language FIPA-SL0
  :protocol FIPA-Request
  :content
    (action
      (agent-identifier
        :name ams@gateway.com)
      get-description))

```

```

(agree
  :sender
    (agent-identifier
      :name ams@gateway.com)
  :receiver (set
    (agent-identifier
      :name CAiG@gateway.com))
  :ontology FIPA-Agent-Management
  :language FIPA-SL0
  :protocol FIPA-Request

```

```

:content
  ((action
    (agent-identifier
      :name ams@gateway.com)
    get-description)
  true))

(inform
  :sender
    (agent-identifier
      :name ams@gateway.com
      :addresses (sequence http://gateway.com/acc))
  :receiver (set
    (agent-identifier
      :name CAiG@gateway.com
      :addresses (sequence http://gateway.com/acc)))
  :ontology FIPA-Agent-Management
  :language FIPA-SL0
  :protocol FIPA-Request
  :content
    (ap-description
      :name sonera-platform
      :transport-profile
        (ap-transport-description
          :available-mtps
            (set
              (mtp-description
                :profile fipa.profile.mts.alpha
                :mtp-name fipa.mts.mtp.iiop.std
                :addresses (sequence iiop://gateway.com/acc))
              (mtp-description
                :profile fipa.profile.mts.beta
                :mtp-name fipa.mts.mtp.wap.std
                :addresses (sequence wap://gateway.com:1234/acc))
              (mtp-description
                :profile x.uh.profile
                :mtp-name x.uh.mdcp
                :addresses (set mdcp://gateway.com/acc)))))))

```

5. Message 7 accept-proposal: The CA in the gateway host accepts the proposal to use the fipa.mts.mtp.wap.std MTP and sends the response to the CA in the mobile host informing it about the preferred MTP.

```

(accept-proposal
  :sender
    (agent-identifier
      :name CAiG@gateway.com)
  :receiver (set
    (agent-identifier
      :name CAiM@mobile.com))
  :ontology FIPA-Nomadic-Application
  :language FIPA-SL0
  :protocol FIPA-Propose
  :content
    (action
      (agent-identifier

```

```

      :name CAiM@mobile.com)
    (use
      (transports
        :send (sequence
          (transport-protocol
            :name x.uh.mdcp)
          (transport-protocol
            :name fipa.mts.mtp.wap.std)))
        :recv (sequence
          (transport-protocol
            :name x.uh.mdcp)
          (transport-protocol
            :name fipa.mts.mtp.wap.std))))))
    (transports
      :send (sequence
        (transport-protocol
          :name fipa.mts.mtp.wap.std))
      :recv (sequence
        (transport-protocol
          :name fipa.mts.mtp.wap.std))))))

```

6. Messages 8 and 8' setup: The CAs request their respective ACCs to setup the `fipa.mts.mtp.wap.std` MTP. This is an implementation issue.
7. Message 9 and 9' setup-done: The ACCs inform their respective CAs that the `fipa.mts.mtp.wap.std` MTP has been established between the mobile host and the gateway host.
8. Message 10 inform: The CA informs the application agent that the MTC is established.

```

(inform
  :sender
    (agent-identifier
      :name CAiM@mobile.com)
  :receiver (set
    (agent-identifier
      :name A-AgentiM@mobile.com))
  :ontology FIPA-Nomadic-Application
  :language FIPA-SL0
  :protocol FIPA-Request
  :content
    (result
      (action
        (agent-identifier
          :name CaiM@mobile.com)
        (activate (sequence
          (transport-protocol
            :name x.uh.mdcp)
          (transport-protocol
            :name fipa.mts.mtp.wap.std
            :dest-addr wap://gateway.com:1234/acc))))))
      (transport-protocol
        :name fipa.mts.mtp.wap.std))

```

9. Message 11 and 11' set-description: CAiM (/CAiG) modifies the AP description to show that the `fipa.mts.mtp.wap.std` is now active.

4.3 Negotiating Message Representations

This example shows a scenario where an application agent in a mobile host proposes to its peer application agent in a fixed host the use of the `fipa.acl.rep.bitefficient.std` representation of ACL [FIPA00069] for their communication. The message flow is illustrated in *Figure 4*.

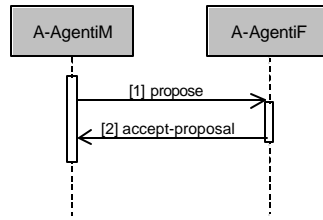


Figure 4: Flow of Message Representation Negotiation

1. **Message 1 propose:** The agent in the mobile host proposes the use of the `fipa.acl.rep.bitefficient.std` representation of ACL.

```

(propose
  :sender
    (agent-identifier
      :name A-AgentiM@mobile.com)
  :receiver (set
    (agent-identifier
      :name A-AgentiF@fixed.com))
  :ontology FIPA-Message-Representation
  :language FIPA-SL0
  :protocol FIPA-Propose
  :content
    ((action
      (agent-identifier
        :name A-AgentiM@mobile.com)
      (use
        (msg-rep-selection
          :send (sequence
            (msg-representation
              :name fipa.acl.rep.bitefficient.std))
          :rcv (sequence
            (msg-representation
              :name fipa.acl.rep.bitefficient.std))))))
      true))
  
```

2. **Message 2 accept-proposal:** The agent in the fixed host accepts the proposal.

```

(accept-proposal
  :sender
    (agent-identifier
      :name A-AgentiF@fixed.com)
  :receiver (set
    (agent-identifier
      :name A-AgentiM@mobile.com))
  :ontology FIPA-Message-Representation
  :language FIPA-SL0
  :protocol FIPA-Propose
  :content
    (action
  
```

```
(agent-identifier
 :name A-AgentiM@mobile.com)
(use
 (msg-rep-selection
 :send (sequence
 (msg-representation
 :name fipa.acl.rep.bitefficient.std))
 :rcv (sequence
 (msg-representation
 :name fipa.acl.rep.bitefficient.std))))
 (msg-rep-selection
 :send (sequence
 (msg-representation
 :name fipa.acl.rep.bitefficient.std))
 :rcv (sequenc
 (msg-representation
 :name fipa.acl.rep.bitefficient.std))))))
```

4.4 Message Exchange Over a WAP Message Transport Protocol

Figure 5 refers to reference architecture for message exchange in context of nomadic applications. Messages between the mobile host and gateway host are delivered mainly using the `fipa.mts.mtp.wap.std` MTP and messages between gateway host and other APs in the fixed network are delivered using the `fipa.mts.mtp.iiop.std` MTP (see [FIPA00075]).

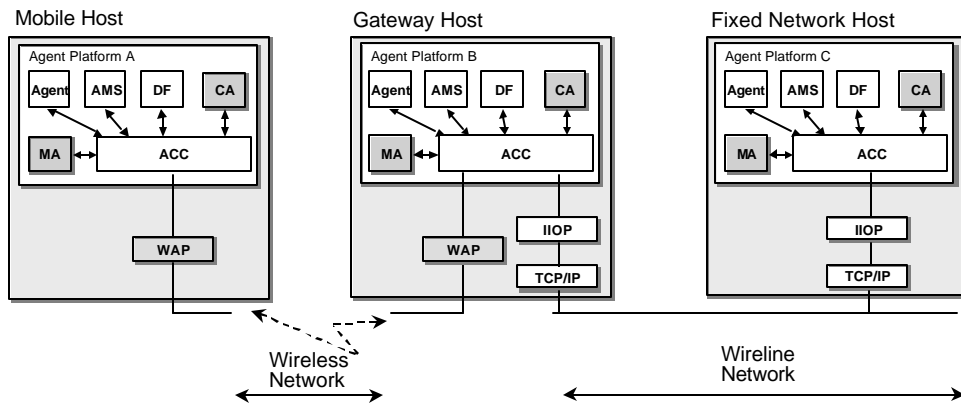


Figure 5: Gateway-Based Nomadic Application Architecture

4.4.1 Message Exchange Activation by an Agent in a Mobile Host

This example shows the scenario where an agent in a mobile host has a WAP address and an agent in fixed host has an IIOP address. In this example, there are three specific APs involved; one running in a mobile host, one running in a gateway host and the last one running in a host situated in a fixed network which represents the rest of the network. An example of the flow of a message exchange is illustrated in Figure 6.

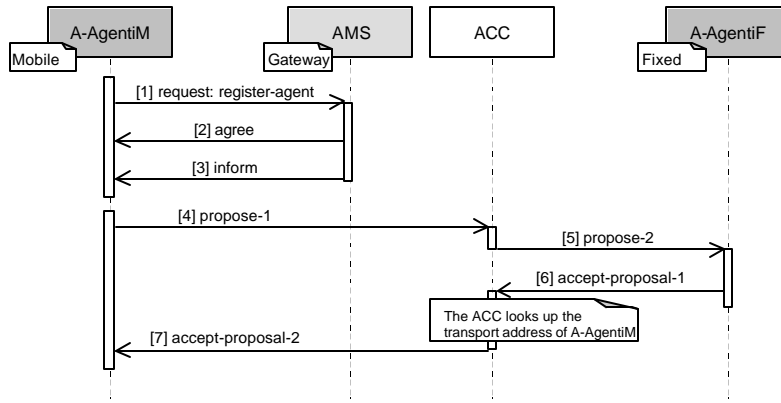


Figure 6: Mobile Originated Message Exchange Over Gateway Host

1. Message 1 *request*, message 2 *agree* and message 3 *inform*: In order to be reachable from an AP operating in a fixed network environment, an agent in the mobile host must register with the AP running in the gateway host. Subsequently, the ACC in the gateway host AP can forward messages intended for the agent operating in the mobile host to the ACC.

```

(request
:sender
  (agent-identifier
    :name A-AgentiM@mobile.com)
:receiver (set
  (agent-identifier
    :name ams@gateway.com))
:language FIPA-SL0
:protocol FIPA-Request
:ontology FIPA-Agent-Management
:content
  (action
    (agent-identifier
      :name ams@gateway.com)
    (register
      (ams-agent-description
        :name
          (agent-identifier
            :name A-AgentiM@mobile.com
            :addresses (sequence wap://mobile.com:1234/acc))
        :state active))))))

```

The AMS informs A-AgentiM that registration was completed successfully and after registration, A-AgentiM can be reached via the gateway host using, for example, the following *envelope-to envelope* parameter:

```

<envelope-to index="1">
  <agent-identifier>
    <name value=" A-AgentiM@mobile.com" />
    <addresses>
      <url value="iiop://gateway.com/acc" />
    </addresses>
  </agent-identifier>
</envelope-to>

```

If the gateway host is not operational, then the direct WAP address (*wap://mobile.com:1234/acc*) could be used.

2. Message 4 propose-1: A-AgentiM sends a propose message to A-AgentiF. In the envelope-from parameter, A-AgentiM informs A-AgentiF that its primary return address is its address in the gateway host.

```
<?xml version="1.0"?>

<!DOCTYPE envelope>

<envelope>
  <envelope-to index="1">
    <agent-identifier>
      <name value="A-AgentiF@fixed.com" />
      <addresses>
        <url value="iiop://fixed.com/acc" />
      </addresses>
    </agent-identifier>
  </envelope-to>
  <envelope-from index="1">
    <agent-identifier>
      <name value="A-AgentiM@mobile.com" />
      <addresses>
        <url value="iiop://gateway.com/acc" />
        <url value="wap://mobile.com:1234/acc" />
      </addresses>
    </agent-identifier>
  </envelope-from>

  <acl-representation index="1">fipa.acl.rep.string.std</acl-representation>

  <date index="1">20000606T100900000</date>
</envelope>

(propose
 :sender
  (agent-identifier
   :name A-AgentiM@mobile.com)
 :receiver (set
  (agent-identifier
   :name A-AgentiF@fixed.com))
 :language FIPA-SL0
 :content
  (action
   (agent-identifier
    :name A-AgentiM@mobile.com)
   (compress-data (> object-size 1kb))))
```

The ACC in the mobile host forwards the message to the ACC in the gateway host using `fipa.mts.mtp.wap.std MTP`¹⁰.

3. Message 5 propose-2: The ACC in the gateway host forwards the message to A-AgentiF using `fipa.mts.mtp.iiop.std MTP`. The ACC may change the encoding of the message.

¹⁰ The actual way in which this is achieved is not a subject of standardisation within FIPA.

4. Message 6 `accept-proposal-1`: A-AgentiF accepts A-AgentiM's proposal by sending an `accept-proposal` message to A-AgentiM using its gateway host address.

```
(accept-proposal
:sender
  (agent-identifier
   :name A-AgentiF@fixed.com)
:receiver (set
  (agent-identifier
   :name A-AgentiM@mobile.com))
:language FIPA-SL0
:content
  ((action
   (agent-identifier
    :name A-AgentiM@mobile.com)
   (compress-data (> object-size 1kb)))
 true))
```

5. Message 7 `accept-proposal-2`: The ACC in the gateway host forwards the message to the ACC in the mobile host using the `fipa.mts.mtp.wap.std` MTP. The ACC may change the encoding of the message.

4.4.2 Message Exchange Termination to an Agent in a Mobile Host

This example shows the scenario where an agent in a fixed host activates a conversation. The message flow is illustrated in *Figure 7*.

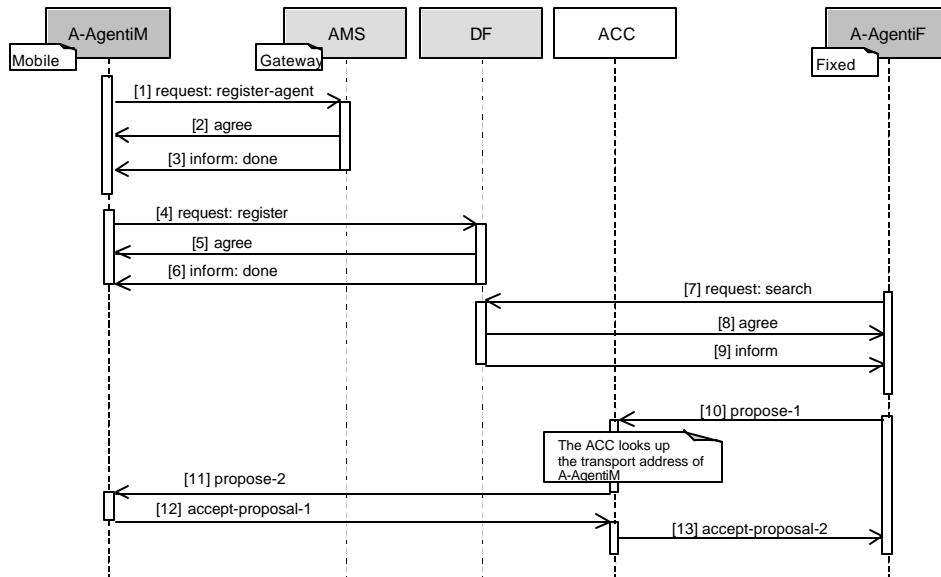


Figure 7: Mobile Terminated Message Exchange Over Gateway Hosts

1. Message 1 `request`, message 2 `agree` and message 3 `inform`: See section 4.4.1, *Message Exchange Activation by an Agent in a Mobile Host*.

2. Message 4 request: A-AgentiM needs to register its services with the DF in the gateway host in order to be able to publicise its services even when the mobile host itself is disconnected from the fixed network.

```
(request
  :sender
    (agent-identifier
      :name A-AgentiM@mobile.com)
  :receiver (set
    (agent-identifier
      :name df@gateway.com))
  :ontology FIPA-Agent-Management
  :language FIPA-SL0
  :protocol FIPA-Request
  :content
    (action
      (agent-identifier
        :name df@gateway.com)
      (register
        (df-agent-description
          :name
            (agent-identifier
              :name A-AgentiM@mobile.com
              :addresses (sequence iiop://gateway.com/acc wap://mobile.com:1234/acc))
          :services (set
            (service-description
              :name Field-Warrior
              :type field-information
              :ontology (set field-service)
              :properties (set
                (property
                  :name availability
                  :value 24h))))
            :language (set FIPA-SL0))))))
```

3. Message 5 agree and message 6 inform: The DF in the gateway host AP informs A-AgentiM that registration was successful.

```
(inform
  :sender
    (agent-identifier
      :name df@gateway.com)
  :receiver (set
    (agent-identifier
      :name A-AgentiM@mobile.com))
  :language FIPA-SL0
  :protocol FIPA-Request
  :ontology FIPA-Agent-Management
  :content
    (done
      (action
        (agent-identifier :name df@gateway.com)
        (register
          (df-agent-description
            :name
              (agent-identifier
                :name A-AgentiM@mobile.com
```

```
      :addresses (sequence iiop://gateway.com/acc wap://mobile.com:1234/acc))
:services
  (service-description (set
    :name Field-Warrior
    :type field-information
    :ontology field-service
    :properties (set
      (property
        :name availability
        :value 24h))))
:language (set FIPA-SL0))))
```

4. Message 7 request, message 8 agree and message 9 inform: When A-Agent_{iM} needs the Field-Warrior service, it searches the gateway host DF which informs it that A-Agent_{iM} offers such a service (see [FIPA00023]).
5. Message 10, 11, 12 and 13: The messages used and the message flow are similar to the example in section 4.4.1, *Message Exchange Activation by an Agent in a Mobile Host*.

5 Informative Annex A - Paramedic Scenario

This section illustrates some of the important issues of nomadic application support, using a paramedic application as an example.

5.1 Overview

A paramedic team has several working environments:

- An emergency dispatch centre, which is covered by the hospital ATM network,
- A geographical area, which is wireless wide-area network (e.g. GPRS), and,
- One or more hospitals, which are provided with a wireless local-area network.

When in transit, the paramedic computers are attached to docking stations residing in ambulances. At the dispatch centre, the docking stations are connected to the ATM network. The paramedic application comprises the following services:

- Retrieval of a patient's personal information, such as name, address, phone, and relatives,
- Retrieval of the patient's medical histories,
- Support for paramedic workers, and,
- Informing the hospital receiving the patient about the patient's current injury or illness and medical care given so far.

There are several application agents: Paramedic Support Agents (PSAs) working in the paramedic computers, Dispatching Support Agent (DSA) working at the dispatch centre system, and the Hospital First Aid Support Agent (HFASA) working at the hospital system.

The dispatch centre receives a call regarding a man who has severe chest pain; the symptom of an acute myocardial infarct. The caller identifies the man and gives his personal identification number to the dispatcher. The dispatcher alerts the paramedic team and informs the DSA about the address where the patient is located and his personal identification number. The DSA simultaneously informs the PSA about the address of the attack (and possibly some additional information about the environment of the heart attack) and queries the patient's medical history. Since the results of the query to a local hospital are received before the paramedic unit is dispatched, the DSA (in co-operation with the PSA) begins to load the patient's personal information and medical history into the paramedic computers. The medical history includes several items of text-based information. The transmission time to load the information via the ATM network to the paramedic computers (which are currently docked at the dispatch centre) is less than a second. Before the ambulance leaves the dispatch centre, the docking station is detached from the ATM network and is connected to the wireless wide-area network.

While the ambulance is approaching the location of the incident, the DSA receives more relevant results of the query of the medical histories such as the latest heart operation of the patient. The medical history comprises several parts of textual information and several images and the DSA begins loading the information. As the loading takes place when the ambulance is in motion, the DSA finds out that the quality of transport service is too low for loading some textual parts and any of the images of the medical history. It would take at least 40 minutes to download the images. Therefore, the DSA informs the PSA that images are not required for the paramedic unit. During downloading, the ambulance drives into a tunnel that causes the wireless link to be disconnected. After the tunnel, a CA re-establishes the connection and downloading continues.

At the scene, the ambulance is stationary and the quality of transmission service increases to a level at which the DSA is able to load the most relevant images (the ECGs) using an efficient compression method which is negotiated between the DSA and the PSA to the paramedic computer. The paramedic team detaches the computers from the docking station and carries them to the patient.

The paramedic team realises that they need the assistance of a medical expert located at the university hospital to stabilise the patient's condition. Therefore, they attach electrodes to the patient and the PSA starts transmitting the data of measurement such as SpO₂ (oxygen saturation), cardiac rhythm, ECG, end tidal CO₂ and temperature to the hospital. After successfully stabilising the patient's condition, the paramedic team moves the patient to the ambulance and sets off for the hospital. As the quality of the transport service decreases because of the motion, the PSA finds out that not all the on-going measurement data can be transmitted on-line to the hospital. Therefore, the PSA decides to transmit the most relevant data (SpO₂ and cardiac rhythm). The PSA stores the rest of the data (ECG, end tidal CO₂ and temperature) into a cache of the paramedic computer.

After the ambulance arrives at the hospital, the patient is transferred immediately to an operating room. Simultaneously, the paramedic team connects their paramedic computer to the wireless LAN of the hospital and the PSA transmits (in co-operation with the HFASA) all the measurement data to the hospital's system. A surgeon retrieves and analyses the measurement data before surgery.

This example illustrates a future agent-based distributed system that offers its services at the best obtainable quality of service in a wide variety of environments. A possible agent architecture is illustrated in *Figure 8* which refers to three separate APs: *Dispatch*, *Gateway* and *Paracom*. In addition, there are several hospital APs which are not illustrated.

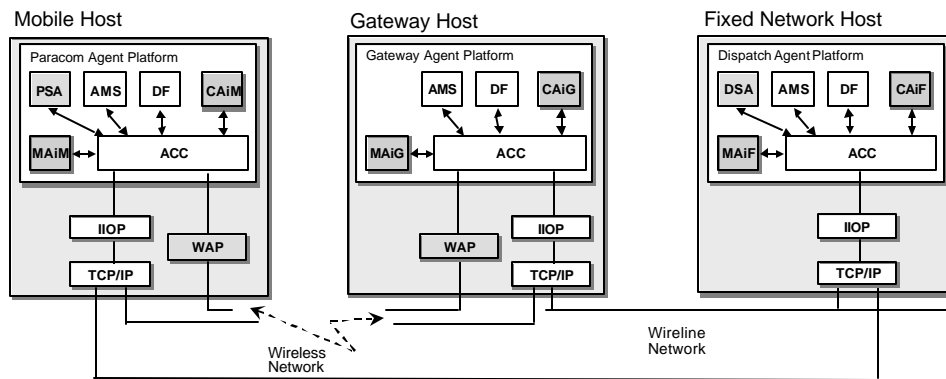


Figure 8: Paramedic Scenario Architecture

The agents in the scenario are:

- MA_{iM}, MA_{iG} and MA_{iF} are MAs which monitor the quality of the communication service,
- CA_{iM}, CA_{iG} and CA_{iF} are CAs which manage the establishment, teardown, suspension, activation, etc. of the connection between the PAs. The MA informs application agents about the status and changes of the network services.

When the mobile host is connected either to the ATM network or to the wireless LAN, the *fipa.mts.mtp.iiop.std* MTP is used directly between the *Paracom* AP and the *Dispatch* AP. When the mobile host is connected to the wireless WAN, all agent message communication takes place through the gateway host. The *fipa.mts.mtp.wap.std* MTP is primarily used between the *Paracom* AP and the *Gateway* AP. The *fipa.mts.mtp.iiop.std* MTP is used between the *Gateway* AP and the *Dispatch* AP.

5.2 Seamless Roaming

The Seamless Roaming scenario describes the process, when the paramedic computer roams from the ATM network to the UMTS network. The scenario is split into following events:

- Disconnection and reconnection of MTCs,
- Negotiation of MTPs, and,
- Negotiation of message representations.

5.2.1 Disconnection and Reconnection of an Message Transport Connection

The message exchange between the agents is illustrated in *Figure 9*.

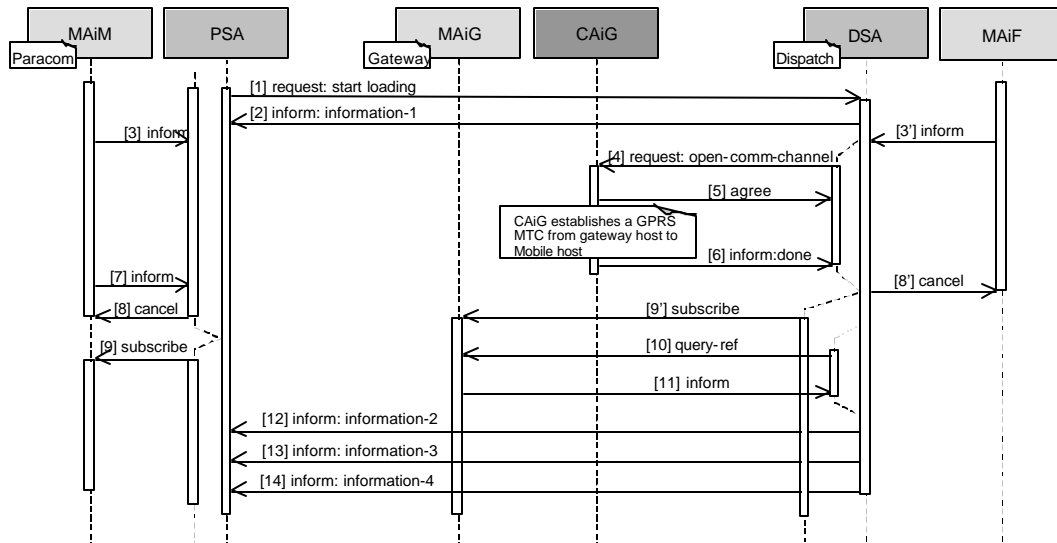


Figure 9: Disconnection and Reconnection of an Message Transport Connection

1. Message 1 request: The PSA starts loading data from the DSA by sending a request message. This message is application specific and thus not shown here.
2. Message 2 inform: The DSA starts sending information by first sending an inform message.
3. Messages 3 and 3' inform: MAiM (/ MAiF) informs the PSA (/ DSA) that the ATM connection has broken.

```
(inform
:sender
(agent-identifier
:name MAiM@paracom.com)
:receiver (set
(agent-identifier
:name PSA@paracom.com))
:ontology FIPA-Nomadic-Application
:language FIPA-SL2
:protocol FIPA-Subscribe
:content
(= (iota ?x
(qos-information
```

```

    (comm-channel
      :name ATM
      :target-addr iiop://dispatch.com/acc)
  (qos
    :status ?x)))
  disconnected))

```

4. Message 4 request: The DSA requests CAiG to open a wireless wide-area MTC.

```

(request
  :sender
    (agent-identifier
      :name DSA@dispatch.com)
  :receiver (set
    (agent-identifier
      :name CAiG@gateway.com))
  :ontology FIPA-Nomadic-Application
  :language FIPA-SL0
  :protocol FIPA-Request
  :content
    (action
      (agent-identifier
        :name CAiG@gateway.com)
      (open-comm-channel
        (comm-channel
          :name GPRS
          :target-addr iiop://paramedic.com/acc))))))

```

5. Message 5 agree: CAiG agrees that it will try to open the GPRS connection.

```

(agree
  :sender
    (agent-identifier
      :name CAiG@gateway.com)
  :receiver (set
    (agent-identifier
      :name DSA@dispatch.com))
  :ontology FIPA-Nomadic-Application
  :language FIPA-SL0
  :protocol FIPA-Request
  :content
    ((action
      (agent-identifier
        :name CAiG@gateway.com)
      (open-comm-channel
        (comm-channel
          :name GPRS
          :target-addr iiop://paramedic.com/acc))))))
  true))

```

Next CAiG establishes a GPRS MTC from the gateway host to the mobile host. This is an implementation issue.

6. Message 6 inform: After successful establishment, CAiG informs the DSA.

```

(inform
  :sender

```

```

(agent-identifier
  :name CAiG@gateway.com)
:receiver (set
  (agent-identifier
    :name DSA@dispatch.com))
:ontology FIPA-Nomadic-Application
:language FIPA-SL0
:protocol FIPA-Request
:content
  (done
    (action
      (agent-identifier
        :name CAiG@gateway.com))
      (open-comm-channel
        (comm-channel
          :name GPRS
          :target-addr iiop://paramedic.com/acc))))))

```

7. Message 7 inform: MAiM informs the PSA that a new MTC has been established.

```

(inform
  :sender
    (agent-identifier
      :name MAiM@paracom.com)
  :receiver (set
    (agent-identifier
      :name PSA@paracom.com))
  :ontology FIPA-Nomadic-Application
  :language FIPA-SL2
  :protocol FIPA-Subscribe
  :content
    (= (iota ?x
      (qos-information
        (comm-channel
          :name GPRS
          :target-addr wap://paramedic.com:1234/acc)
        (qos
          :status ?x))))
      connected))

```

8. Message 8 and 8' cancel: The PSA (/DSA) cancels subscription notifications about the changes in the ATM MTC.

```

(cancel
  :sender
    (agent-identifier
      :name PSA@paracom.com)
  :receiver (set
    (agent-identifier
      :name MAiM@paracom.com))
  :ontology FIPA-Nomadic-Application
  :language FIPA-SL0
  :protocol FIPA-Subscribe
  :content
    (subscribe
      :sender
        (agent-identifier

```

```
      :name PSA@paracom.com)
:receiver (set
  (agent-identifier
    :name MAiM@paracom.com))
:ontology FIPA-Nomadic-Application
:language FIPA-SL2
:protocol FIPA-Subscribe
:content
  (iota ?x
    (qos-information
      (comm-channel
        :name GPRS
        :target-addr wap://paramedic.com:1234/acc)
      (qos
        :status ?x))))))
```

9. Message 9 and 9' subscribe: The DSA (/PSA) subscribes to MAiG (/MAiM) for notifications about the changes in the GPRS MTC.

```
(subscribe
 :sender
  (agent-identifier
   :name DSA@dispatch.com)
 :receiver (set
  (agent-identifier
   :name MAiG@gateway.com))
 :ontology FIPA-Nomadic-Application
 :language FIPA-SL2
 :protocol FIPA-Subscribe
 :content
  (iota ?x
   (qos-information
    (comm-channel
     :name GPRS
     :target-addr iiop://paramedic.com/acc)
    (qos
     :status ?x))))))
```

10. Message 10 query-ref: The DSA requests current quality of service of the GPRS MTC from MAiG.

```
(query-ref
 :sender
  (agent-identifier
   :name DSA@dispatch.com)
 :receiver (set
  (agent-identifier
   :name MAiG@gateway.com))
 :ontology FIPA-Nomadic-Application
 :language FIPA-SL2
 :protocol FIPA-Query
 :content
  (iota ?x
   (qos-information
    (comm-channel
     :name GPRS)
    (qos
     :throughput ?x))))))
```

11. Message 11 inform: MAiG informs the DSA the current quality of service of the GPRS MTC.

```
(inform
 :sender
  (agent-identifier
   :name MAiG@gateway.com)
 :receiver (set
  (agent-identifier
   :name DSA@dispatch.com))
 :ontology FIPA-Nomadic-Application
 :language FIPA-SL2
 :protocol FIPA-Query
 :content
  (= (iota ?x
```

```
(qos-information
  (comm-channel
    :name GPRS)
  (qos
    :throughput ?x)))
(rate-value
  :direction Outbound
  :unit Kbits/s
  :value 20)))
```

12. Messages 12, 13 and 14 *inform*: The DSA sends the rest of the requested information to the PSA.

5.2.2 Example Negotiation of a Message Transport Protocol

When the mobile host roams from the ATM network to the GPRS network – after the reconnection – the PSA receives the information from MAiM that the *Paracom* AP is now connected to the GPRS MTC. The PSA reasons that the *fipa.mts.mtp.wap.std* MTP is better in that environment and it requests the CAiM to establish this MTP between ACCiM and ACCiG. Also, CAiM proposes the establishment of this MTP to CAiG, which accepts the proposal, and they command their respective ACCs to set it up. As a last action, both CAiF and CAiG modify the AP descriptions of their APs. The message flow is illustrated in *Figure 10*.

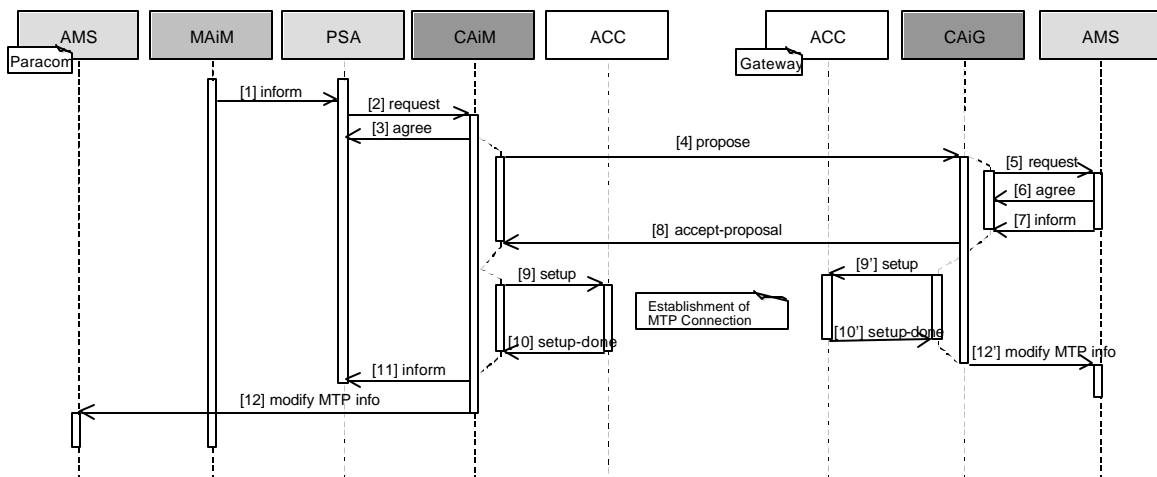


Figure 10: Example Negotiation of a Message Transport Protocol

1. Message 1 *inform*: MAiM informs the PSA that the *Paracom* AP is now connected to the GPRS network.

```
(inform
  :sender
    (agent-identifier
      :name MAiM@paracom.com)
  :receiver (set
    (agent-identifier
      :name PSA@paracom.com))
  :ontology FIPA-Nomadic-Application
  :language FIPA-SL2
  :protocol FIPA-Subscribe
  :content
    (= (iota ?x
      (qos-information
        (comm-channel
          :name GPRS
```

```
        :target-addr wap://paramedic.com:1234/acc)  
      (qos  
        :status ?x)))  
connected))
```


2. **Message 2 request and message 3 agree:** The PSA requests CAiM to establish the `fipa.mts.mtp.wap.std` MTP between ACCiM and ACCiG.

```
(request
  :sender
    (agent-identifier
      :name PSA@paracom.com)
  :receiver (set
    (agent-identifier
      :name CAiM@paracom.com))
  :ontology FIPA-Nomadic-Application
  :language FIPA-SL0
  :protocol FIPA-Request
  :content
    (action
      (agent-identifier
        :name CAiM@paracom.com)
      (activate (sequence
        (transport-protocol
          :name fipa.mts.mtp.wap.std
          :gw-addr wap://gateway.com:1234/acc))))))
```

3. **Message 4 propose:** CAiM sends a propose message to the CAiG.

```
(propose
  :sender
    (agent-identifier
      :name CAiM@paracom.com)
  :receiver (set
    (agent-identifier
      :name CAiG@gateway.com))
  :ontology FIPA-Nomadic-Application
  :language FIPA-SL0
  :protocol FIPA-Propose
  :content
    ((action
      (agent-identifier
        :name CAiM@paracom.com)
      (use
        (transports
          :send (sequence
            (transport-protocol
              :name fipa.mts.mtp.wap.std))
          :recv (sequence
            (transport-protocol
              :name fipa.mts.mtp.wap.std))))))
      true))
```

4. **Message 5 request, message 6 agree and message 7 inform:** CAiG requests the local AP description to find out if the `fipa.mts.mtp.wap.std` MTP is supported (see [FIPA00023]).

5. Message (8) `accept-proposal`: CAiG accepts CAiM's proposal to use the `fipa.mts.mtp.wap.std` MTP.

```
(accept-proposal
 :sender
  (agent-identifier
   :name CAiG@gateway.com)
 :receiver (set
  (agent-identifier
   :name CAiM@paracom.com))
 :ontology FIPA-Nomadic-Application
 :language FIPA-SL0
 :protocol FIPA-Propose
 :content
  (action
   (agent-identifier
    :name CAiM@paracom.com)
   (use
    (transports
     :send (sequence
      (transport-protocol
       :name fipa.mts.mtp.wap.std))
     :rcv (sequence
      (transport-protocol
       :name fipa.mts.mtp.wap.std))))))
  (transports
   :send (sequence
    (transport-protocol
     :name fipa.mts.mtp.wap.std))
   :rcv (sequence
    (transport-protocol
     :name fipa.mts.mtp.wap.std))))))
```

6. Messages 9 and 9' `setup` and messages 10 and 10' `setup-done`: CAiM (CAiG) commands ACCiM (ACCiG) to setup the `fipa.mts.mtp.wap.std` MTP. As this is intra-platform communication between CAiM (CAiG) and ACCiM (ACCiG), this is an implementation issue.

7. Message 11 `inform`: CAiM returns the result to the PSA.

```
(inform
 :sender
  (agent-identifier
   :name CAiM@paracom.com)
 :receiver (set
  (agent-identifier
   :name PSA@paracom.com))
 :ontology FIPA-Nomadic-Application
 :language FIPA-SL0
 :protocol FIPA-Request
 :content
  (result
   (action
    (agent-identifier
     :name CAiM@paracom.com)
    (activate (sequence
     (transport-protocol
      :name fipa.mts.mtp.wap.std
```

```

:gw-addr wap://gateway.com:1234/acc)))
(transport-protocol
:name fipa.mts.mtp.wap.std
:gw-addr wap://gateway.com:1234/acc)))

```

- Message 12 and 12' set-description: CAiM (CAiG) modifies the AP description to show that the fipa.mts.mtp.wap.std is now active.

5.2.3 Example Negotiation of a Message Representation

MAiM informs the PSA that the quality of the message transport connection has dropped significantly. The PSA reasons that the ACL representation needs to be changed to fipa.acl.rep.bitefficient.std and it proposes that to the DSA. The DSA accepts the PSA's proposal. The message flow is illustrated in Figure 11.

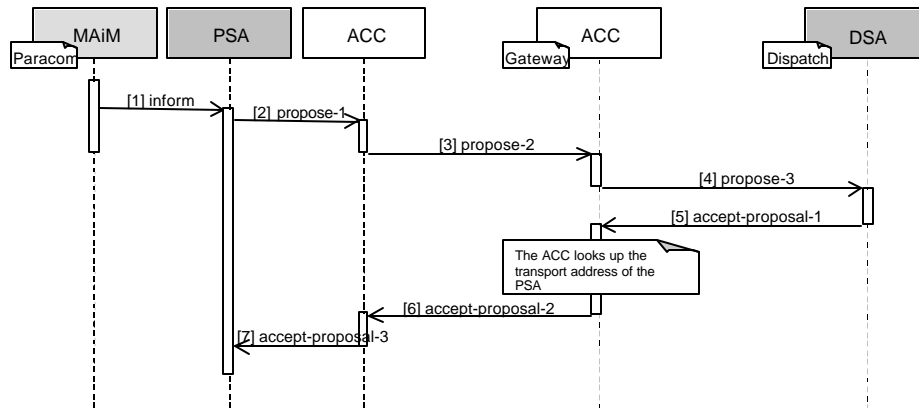


Figure 11: Example Negotiation of a Message Representation

- Message 1 inform: The MA informs the PSA that the outbound throughput has changed.

```

(inform
:sender
(agent-identifier
:name MAiM@paracom.com)
:receiver (set
(agent-identifier
:name PSA@paracom.com))
:ontology FIPA-Nomadic-Application
:language FIPA-SL2
:protocol FIPA-Subscribe
:content
(= (iota ?x (
(qos-notification
(comm-channel
:name GPRS)
(throughput
(rate-value
:unit Kbits/s
:direction Outbound
:value ?x))
(change-constraint
:value (<
(qos
:throughput

```

```
(rate-value
  :unit Kbits/s
  :direction Outbound
  :value 1))))))
(0.96)))
```

2. Message 2 `propose-1`: Based on the new throughput value, the `PSA` decides to change to the message representation.

```

(propose
  :sender
    (agent-identifier
      :name PSA@paracom.com)
  :receiver (set
    (agent-identifier
      :name DSA@dispatch.com))
  :ontology FIPA-Message-Representation
  :language FIPA-SL0
  :protocol FIPA-Propose
  :content
    ((action
      (agent-identifier
        :name PSA@paracom.com)
      (use
        (msg-rep-selection
          :send (sequence
            (msg-representation
              :name fipa.acl.rep.bitefficient.std))
          :rcv (sequence
            (msg-representation
              :name fipa.acl.rep.bitefficient.std))))))
      true))

```

3. Message 3 `propose-2`: The ACC at the mobile host forwards the same message to the ACC at the gateway host.
4. Message 4 `propose-3`: The ACC at the gateway host forwards the same message to the PSA.
5. Message 5 `accept-proposal-1`: The PSA accepts the proposal and sends a message back to the DSA.

```

(accept-proposal
  :sender
    (agent-identifier
      :name DSA@dispatch.com)
  :receiver (set
    (agent-identifier
      :name PSA@paracom.com))
  :ontology FIPA-Message-Representation
  :language FIPA-SL0
  :protocol FIPA-Propose
  :content
    (action
      (agent-identifier
        :name PSA@paracom.com)
      (use
        (msg-rep-selection
          :send (sequence
            (msg-representation
              :name fipa.acl.rep.bitefficient.std))
          :rcv (sequence
            (msg-representation
              :name fipa.acl.rep.bitefficient.std))))))
      (msg-rep-selection
        :send (sequence
          (msg-representation
            :name fipa.acl.rep.bitefficient.std))))

```

```
      :name fipa.acl.rep.bitefficient.std))
:recv (sequence
      (msg-representation
      :name fipa.acl.rep.bitefficient.std))))))
```

6. Message 6 `accept-proposal-2`: The ACC at the gateway host forwards same message to the ACC at the mobile host.
7. Message 7 `accept-proposal-3`: The ACC at the mobile host delivers the same message to the PSA.

6 References

- [FIPA00023] FIPA Agent Management Specification. Foundation for Intelligent Physical Agents, 2000.
<http://www.fipa.org/specs/fipa00023/>
- [FIPA00027] FIPA Query Interaction Protocol Specification. Foundation for Intelligent Physical Agents, 2000.
<http://www.fipa.org/specs/fipa00027/>
- [FIPA00035] FIPA Subscribe Interaction Protocol Specification. Foundation for Intelligent Physical Agents, 2000.
<http://www.fipa.org/specs/fipa00035/>
- [FIPA00036] FIPA Propose Interaction Protocol Specification. Foundation for Intelligent Physical Agents, 2000.
<http://www.fipa.org/specs/fipa00036/>
- [FIPA00069] FIPA ACL Message Representation in Bit-Efficient Encoding Specification. Foundation for Intelligent Physical Agents, 2000. <http://www.fipa.org/specs/fipa00069/>
- [FIPA00075] FIPA Agent Message Transport Protocol for IOP Specification. Foundation for Intelligent Physical Agents, 2000. <http://www.fipa.org/specs/fipa00075/>
- [FIPA00076] FIPA Agent Message Transport Protocol for WAP Specification. Foundation for Intelligent Physical Agents, 2000. <http://www.fipa.org/specs/fipa00076/>
- [WAP99] Wireless Application Protocol Specification Version 1.2. WAP Forum, 1999.
<http://www.wapforum.org/what/technical.htm>
- [ITUE800] Recommendation E.800 - Telephone Network and ISDN, Quality of Service, Network Management and Traffic Engineering, Terms and Definitions Related to Quality of Service and Network Performance Including Dependability. International Telecommunication Union, International Telecommunication Union, 1995.
- [ITUX135] Recommendation X.135 - Speed of Service (delay and throughput), Performance Values for Public Data Networks when Providing Packet-Switched Services. International Telegraph and Telephone Consultative Committee, 1993.